

A black and white close-up photograph of a metal surface, likely a car wheel or hub, showing several rivets or bolts. The lighting is dramatic, highlighting the metallic texture and the circular patterns of the rivets.

kovové madlo
woopy

Michaela Jamborová / ADE / 2023

woopy

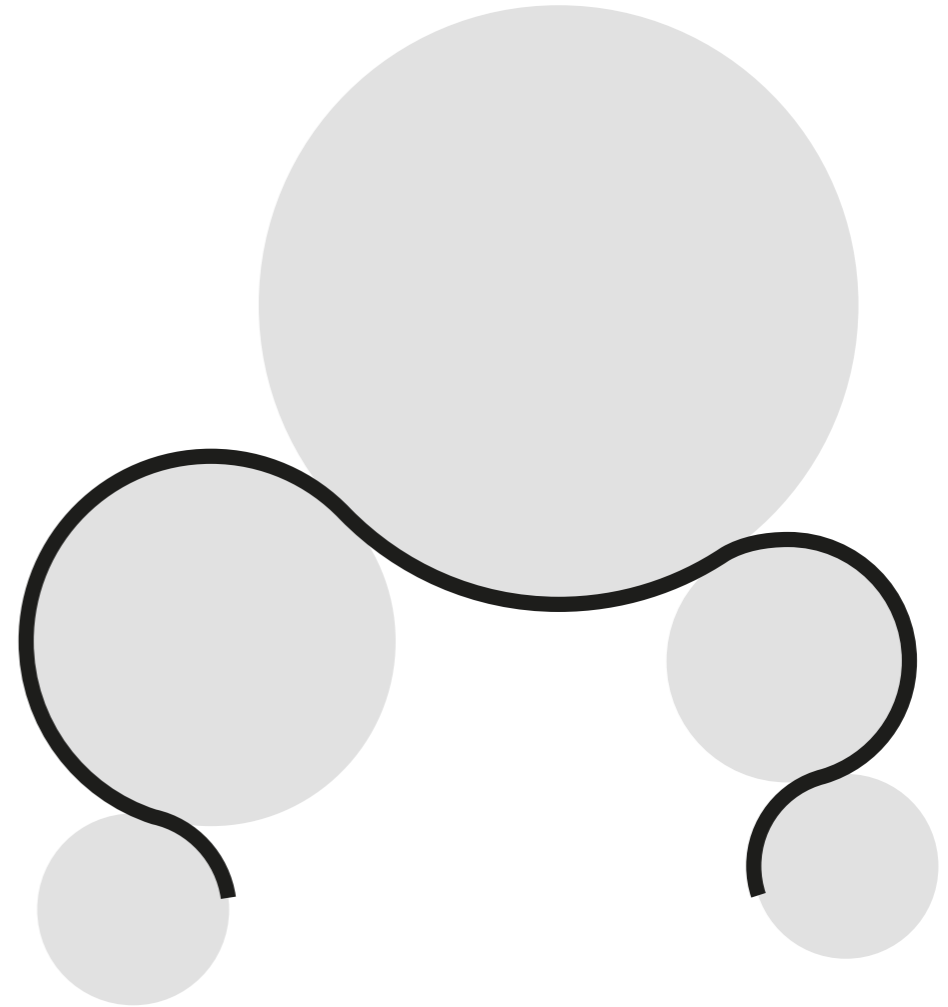
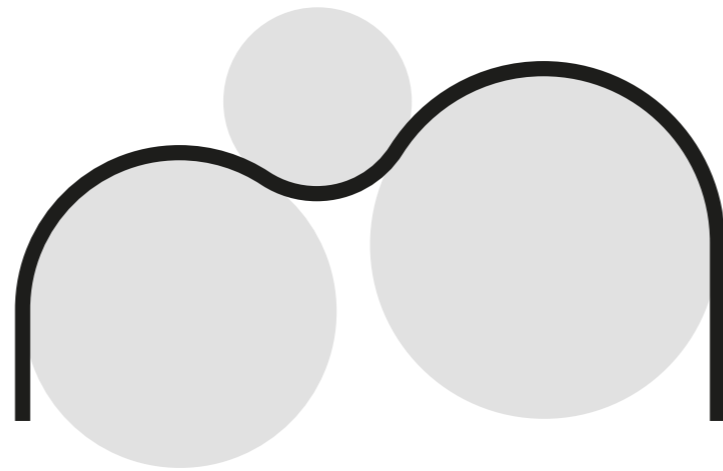
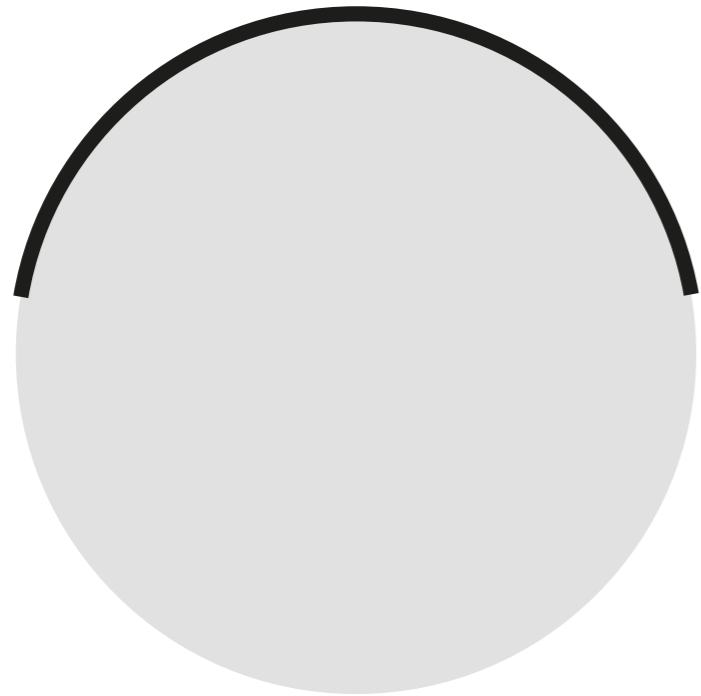
Kovové madlá woopy sa skladajú z troch madiel v sade, ktoré dokopy spája nie len materiálová skladba, ale aj vzor.

Madlá woopy sú inšpirované organickým tvarom kaktusov, vzor na nich predstravuje pomyselné trni.



tvároslovie

Tvar madiel je inšpirovaný zjednotusenímí tvarmi kaktusov, kde som vychádzala z liniek a oblukov.

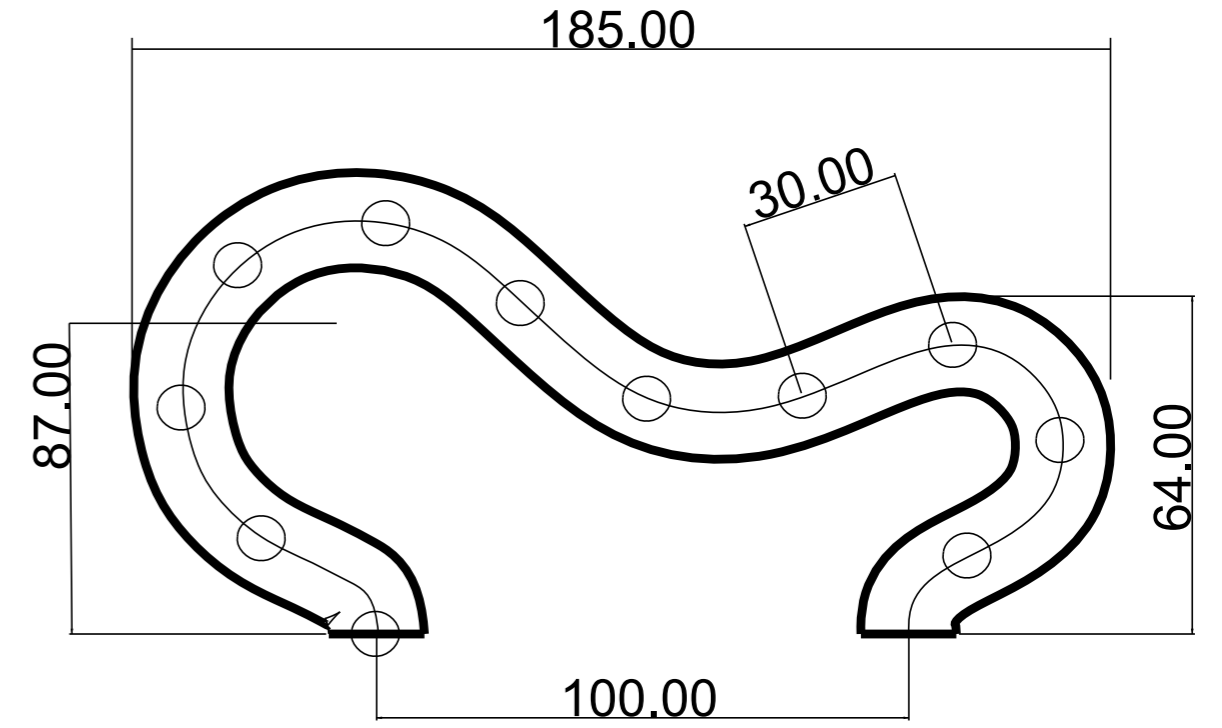
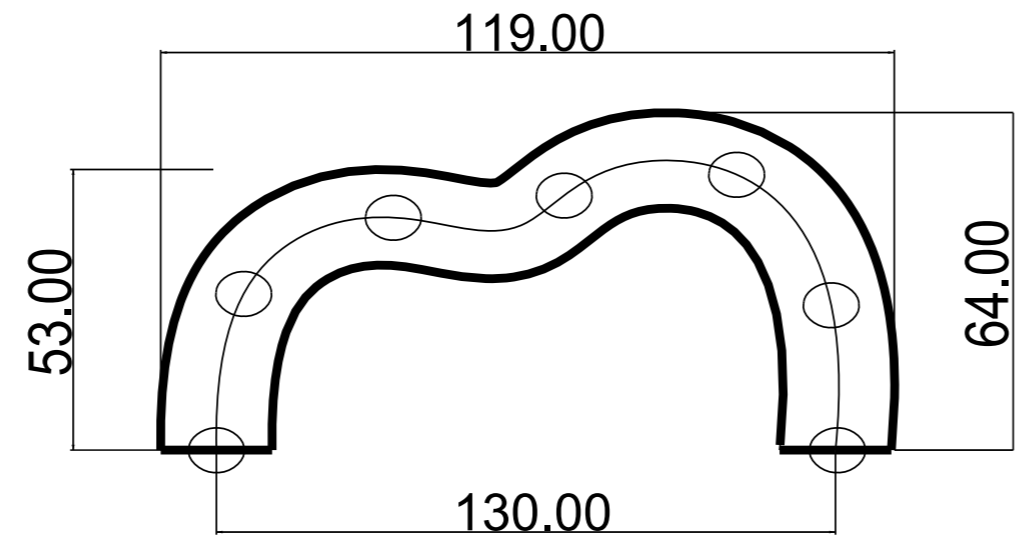
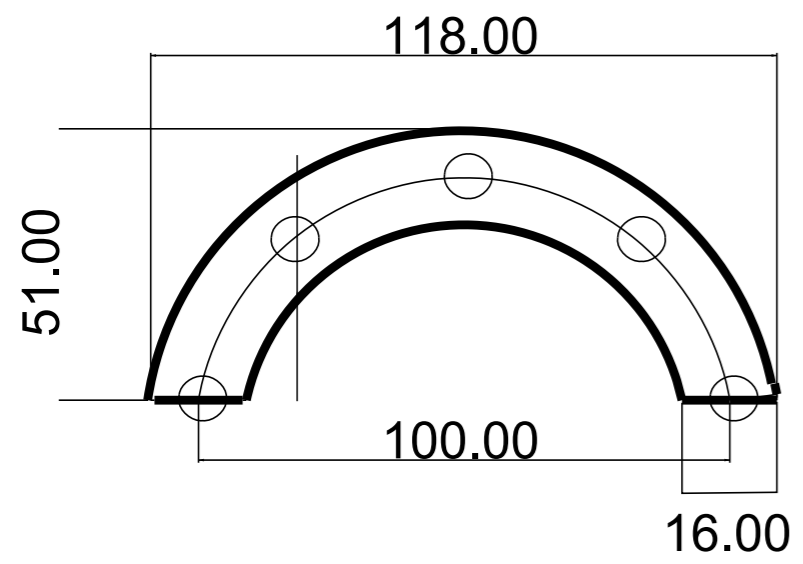


A close-up photograph of several curved metal handles, likely for a tool or instrument. The handles are made of a dark, possibly steel, material and feature a series of small, raised rivets or welds along their length. The lighting is dramatic, highlighting the metallic texture and the curved shape of the handles. In the top left corner, there is a vertical column of four white circles: the top two are solid, the third is an outline, and the bottom one is solid.

materiál

Madlá woopy sú zhotovené z kovovej guľatiny, ktorá je ručne ohýbaná a doplnená o jemný vzor za pomoci zvaračky. Takto zhotovené madlá sa prebehli drôteným kartáčom, aby získali lesk a rustikálny vzhľad. Na záver sa do spodnej časti vyvrtal závit pre lepšie uchytenie madiel.

rozmery







A close-up, high-contrast photograph of a dark, textured surface, possibly a metal plate or a piece of machinery. The surface is covered with numerous small, circular, reflective spots that catch the light, creating a shimmering effect. The overall tone is very dark, with the highlights providing the primary visual interest.

Ďakujem za pozornosť !