

 **BASF**

We create chemistry

# Roller blind for car

## 1. concept

### assignment of project:

#### **1.** "25 minutes"

The average charging time for an EV takes about 25 minutes.

Design a device that makes this time as enjoyable and productive as possible.

#### **3.** "accessories"

Think about things, that would make a use of cars more comfortable, more user friendly, more intimate.

Think about, what is annoying for you in today's cars and bring a new solution



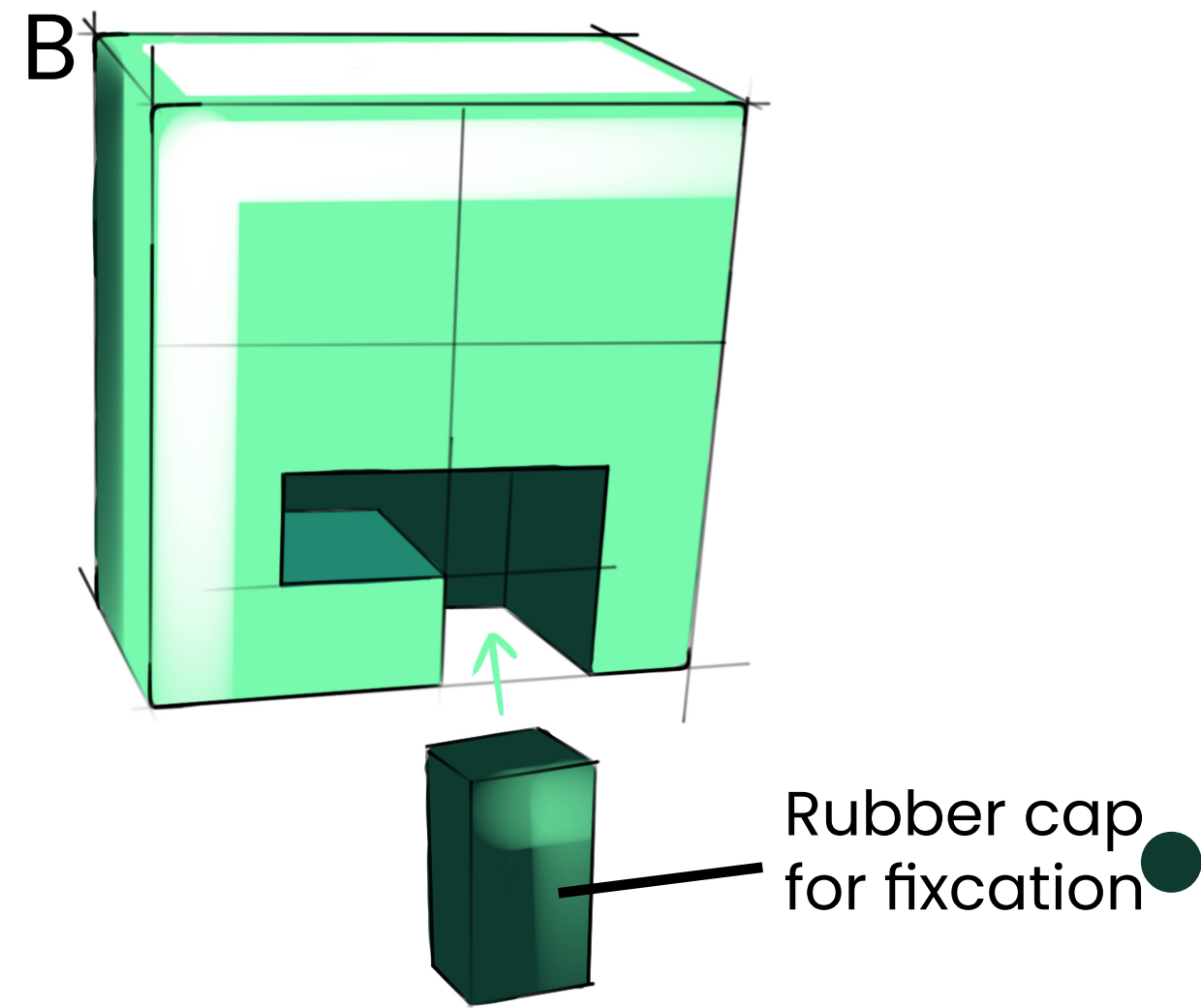
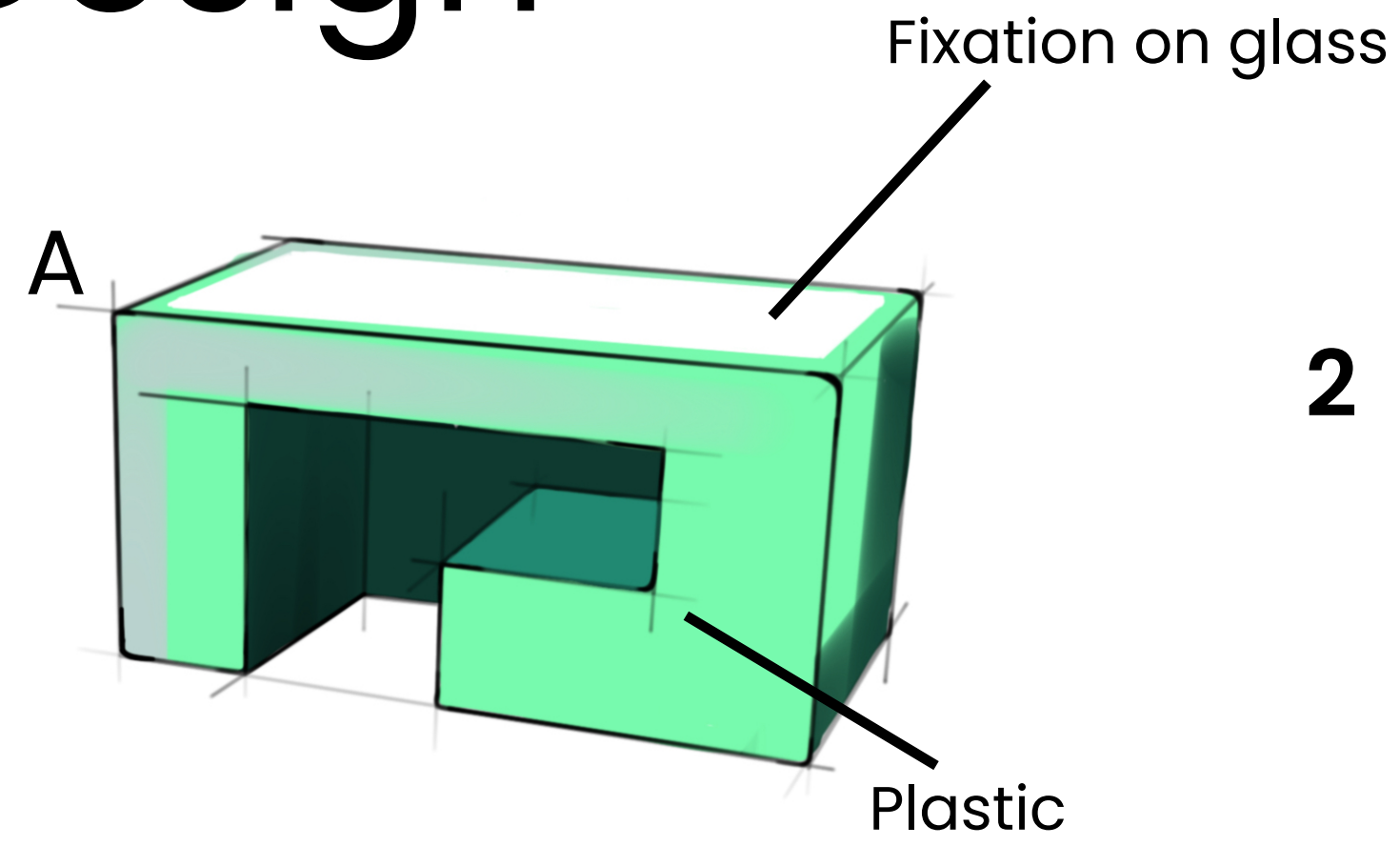
# Anotation



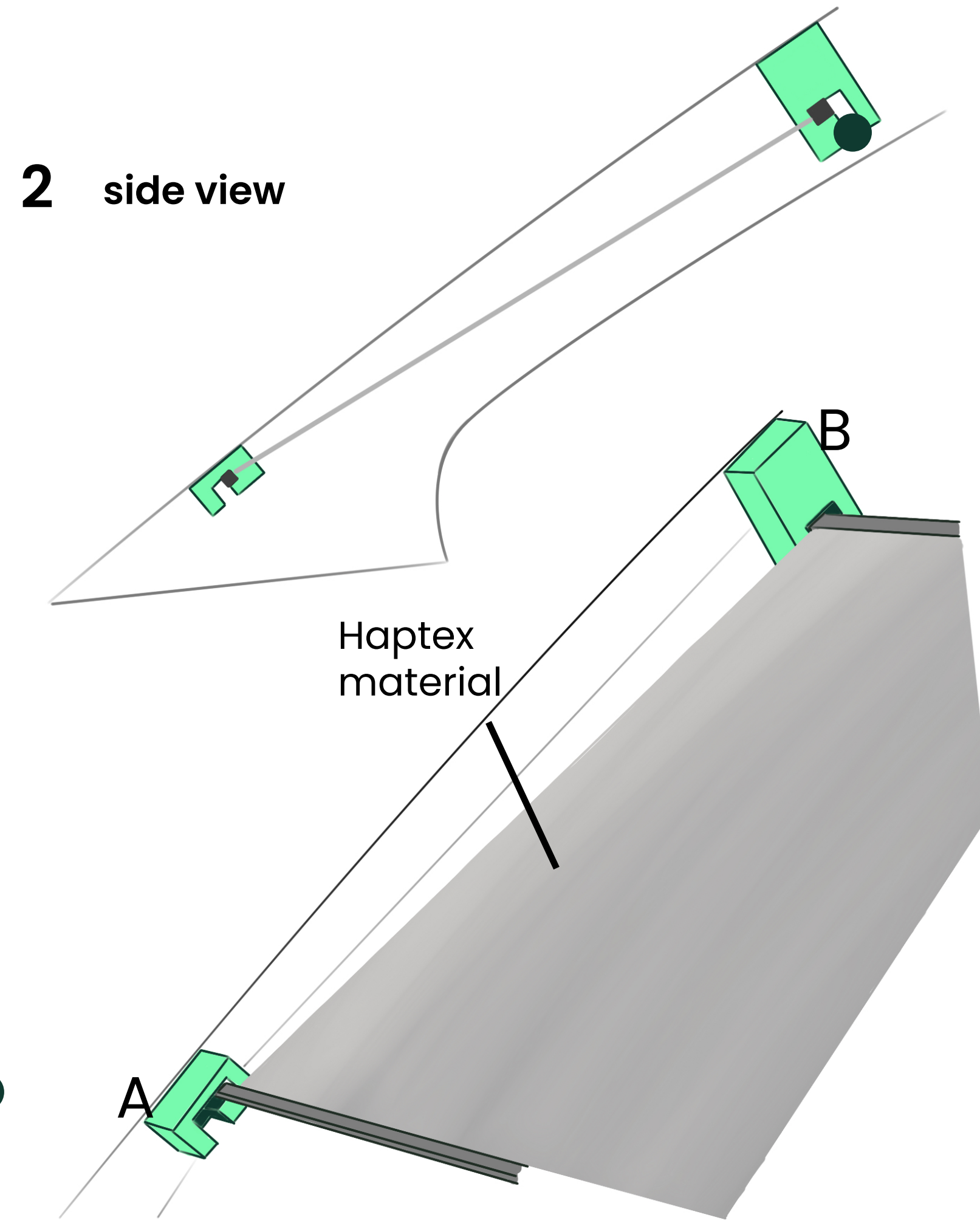
**Create useful roller blind  
for protection against sun.  
And this protect parts of car  
before heating**



# Design

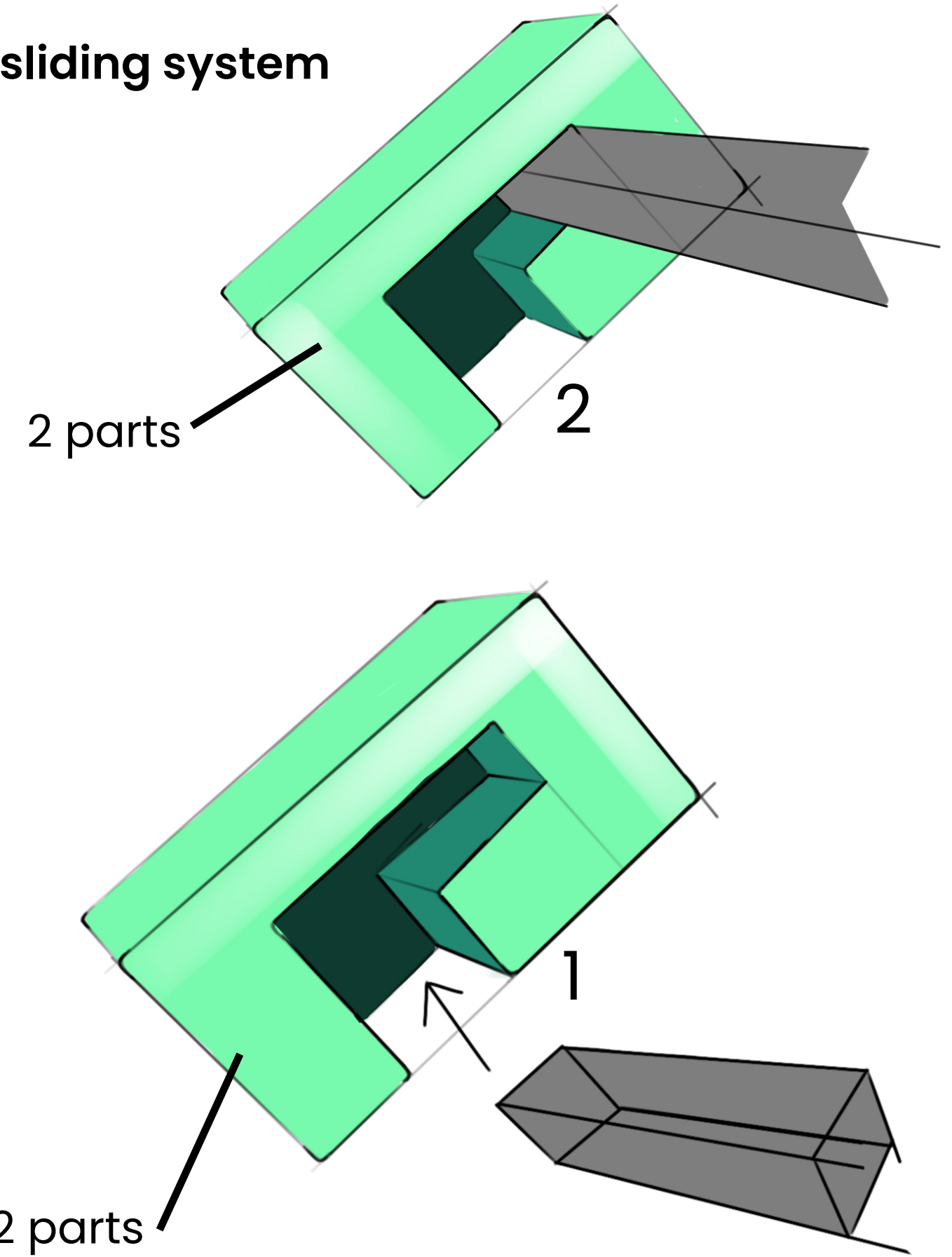


**1** Main parts of rolet



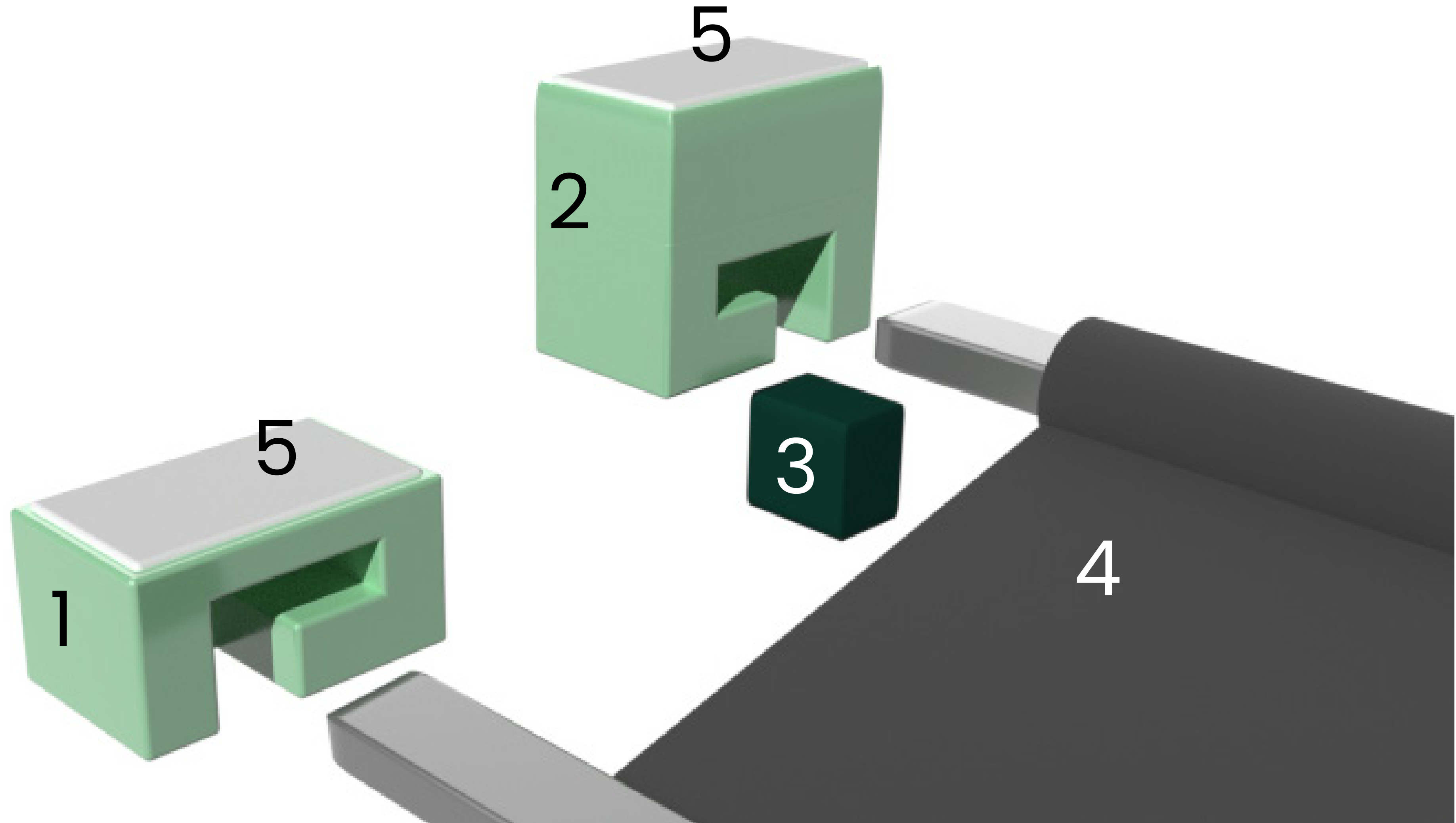
**2** side view

**3** sliding system

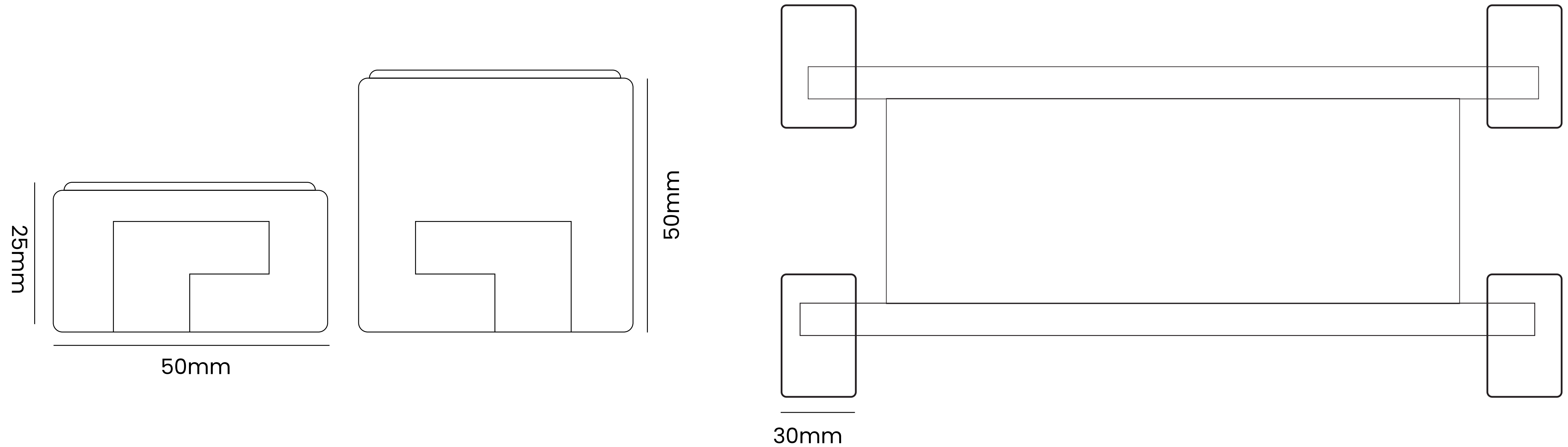


# Visualisations of parts

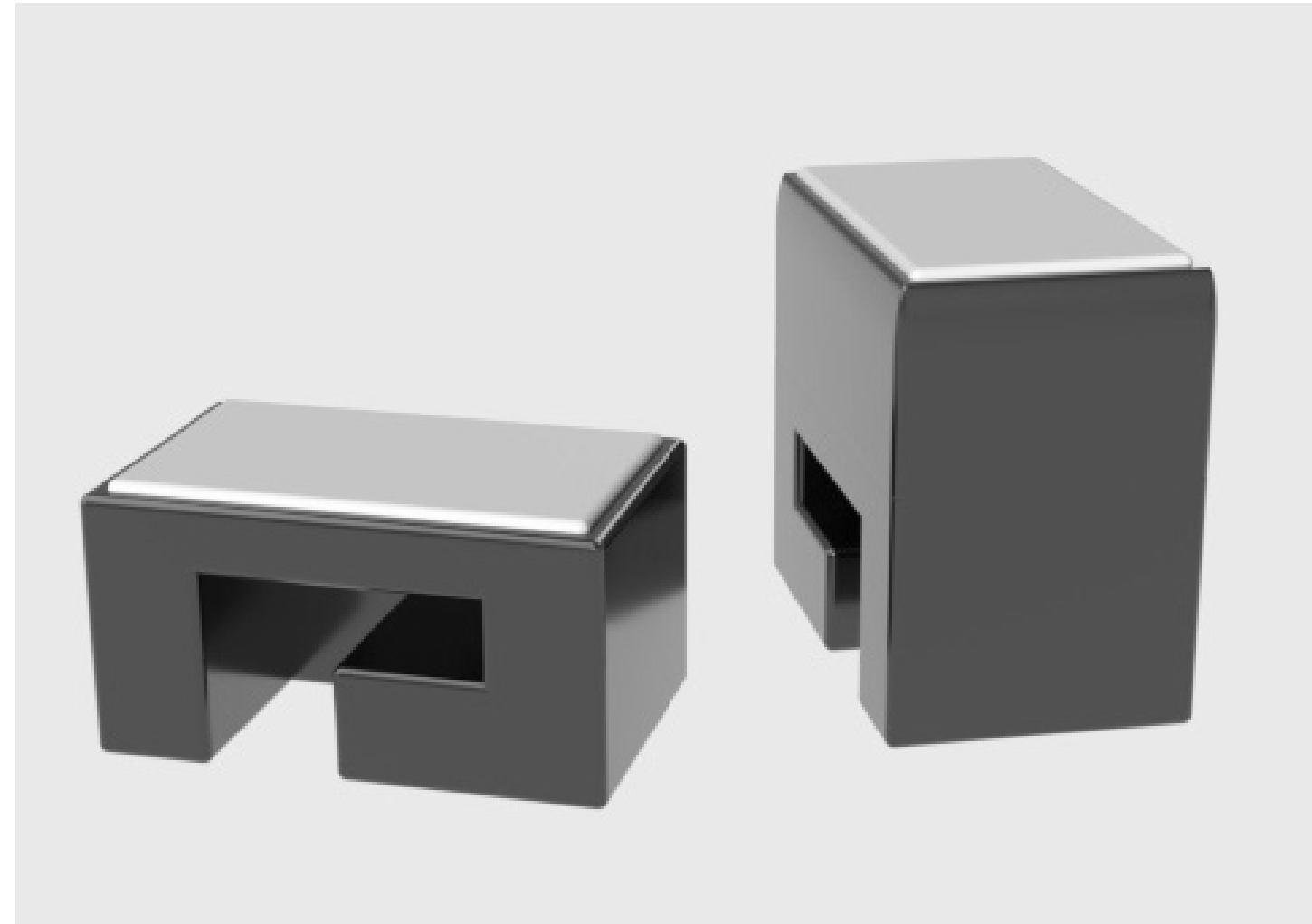
1. Front part of roller
2. Back part of roller
3. Rubber cap
4. Roller blind (Haptex)
5. Fixcation on glass



# Parameters

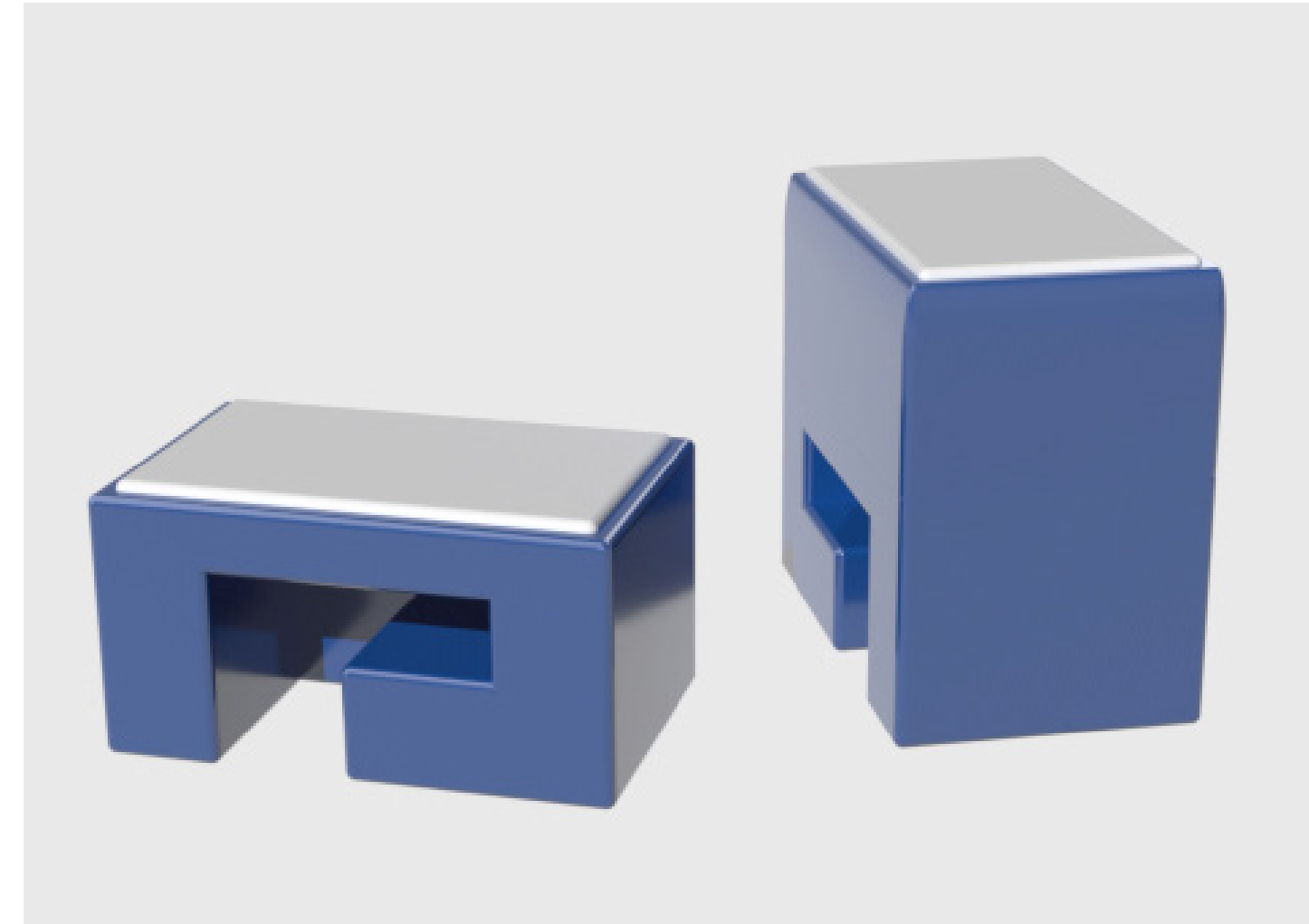


# Colour versions



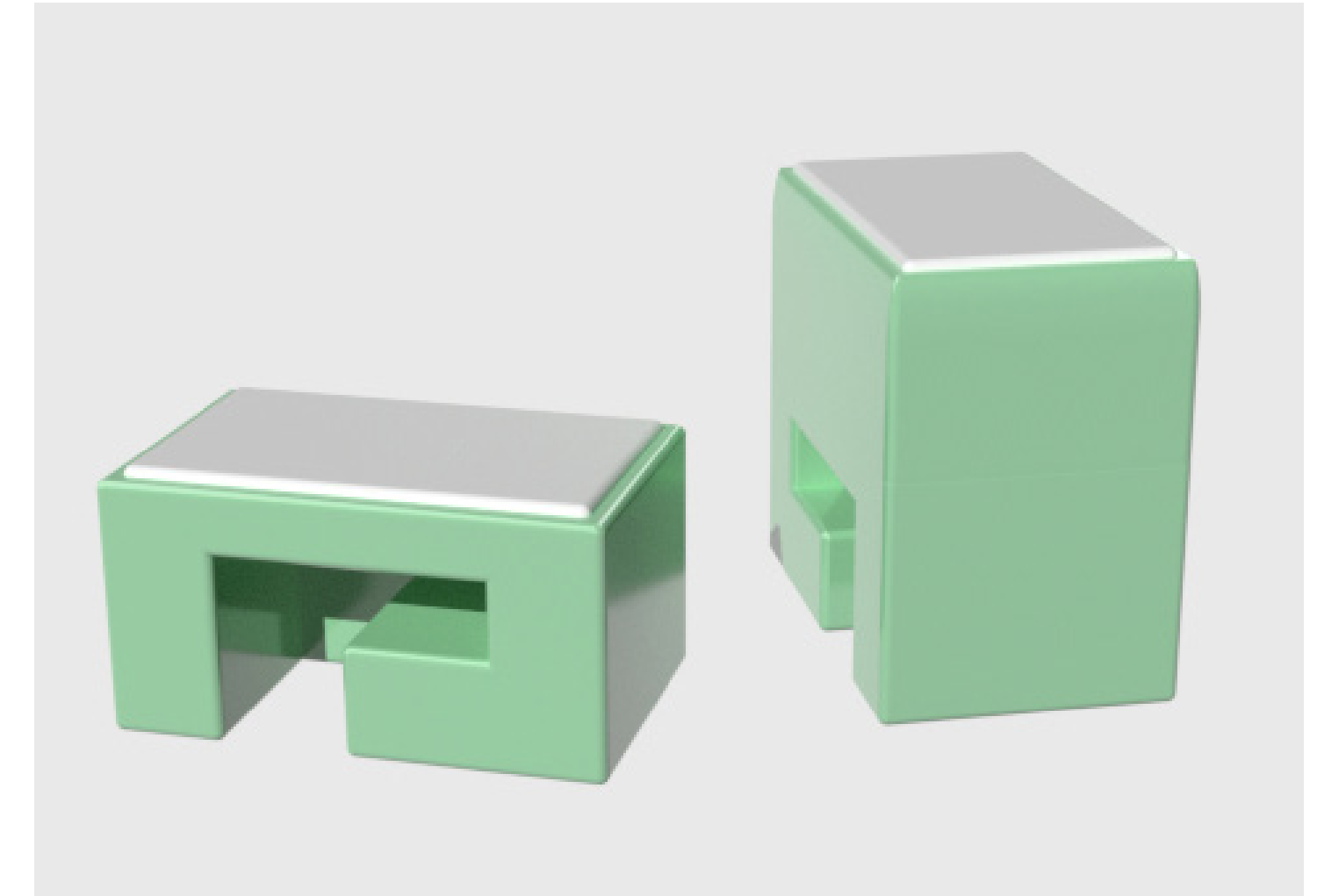
Black colour version

#000000



Blue colour version  
as BASF logo

#154B91



Green colour version  
as Škoda logo

#91CE9E



# Visualisations of roller in car

