

# Multifunctional Headrest

 **BASF**

We create chemistry

ADE | UTB | 2023 | Drabinová Kateřina

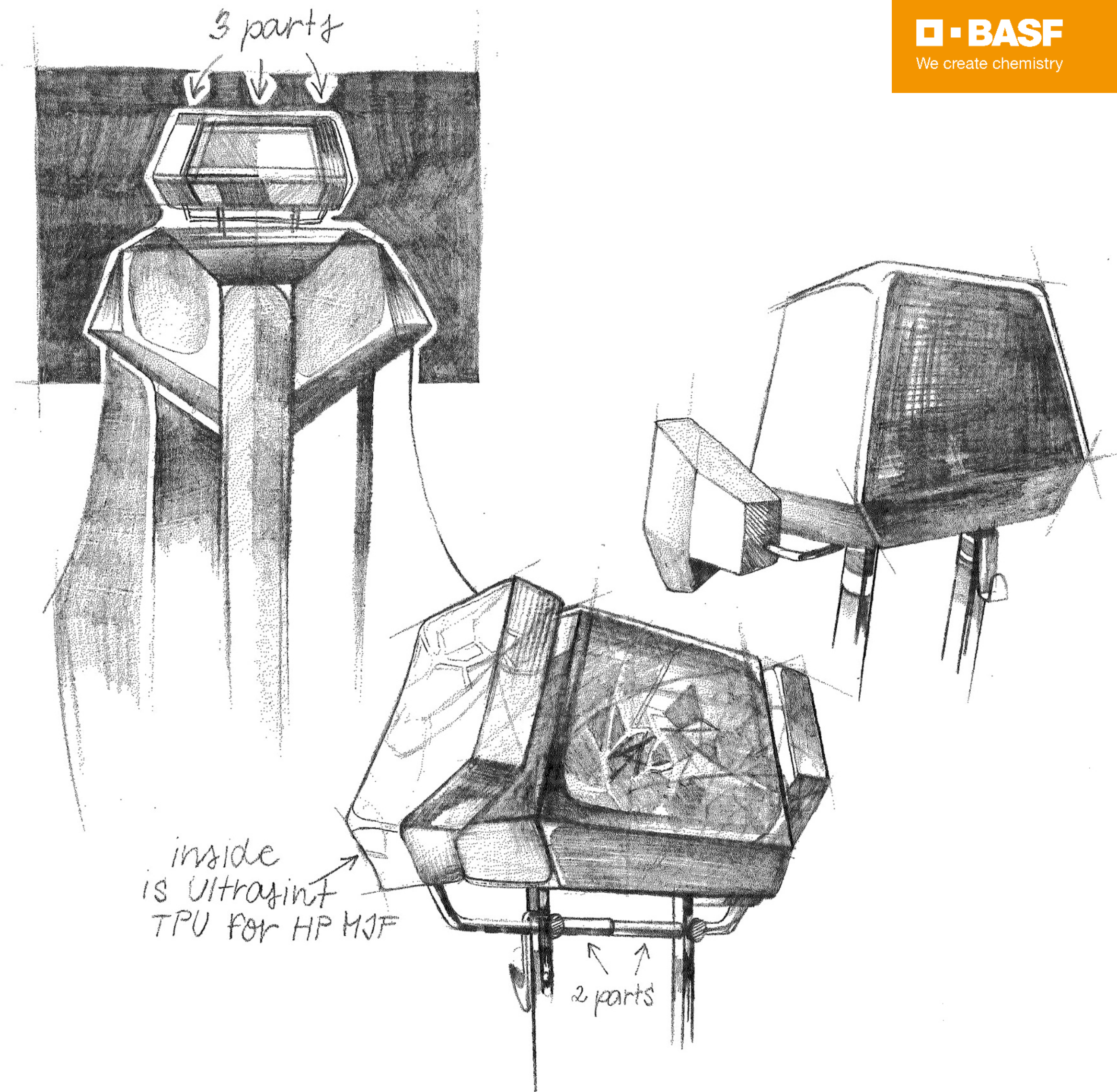
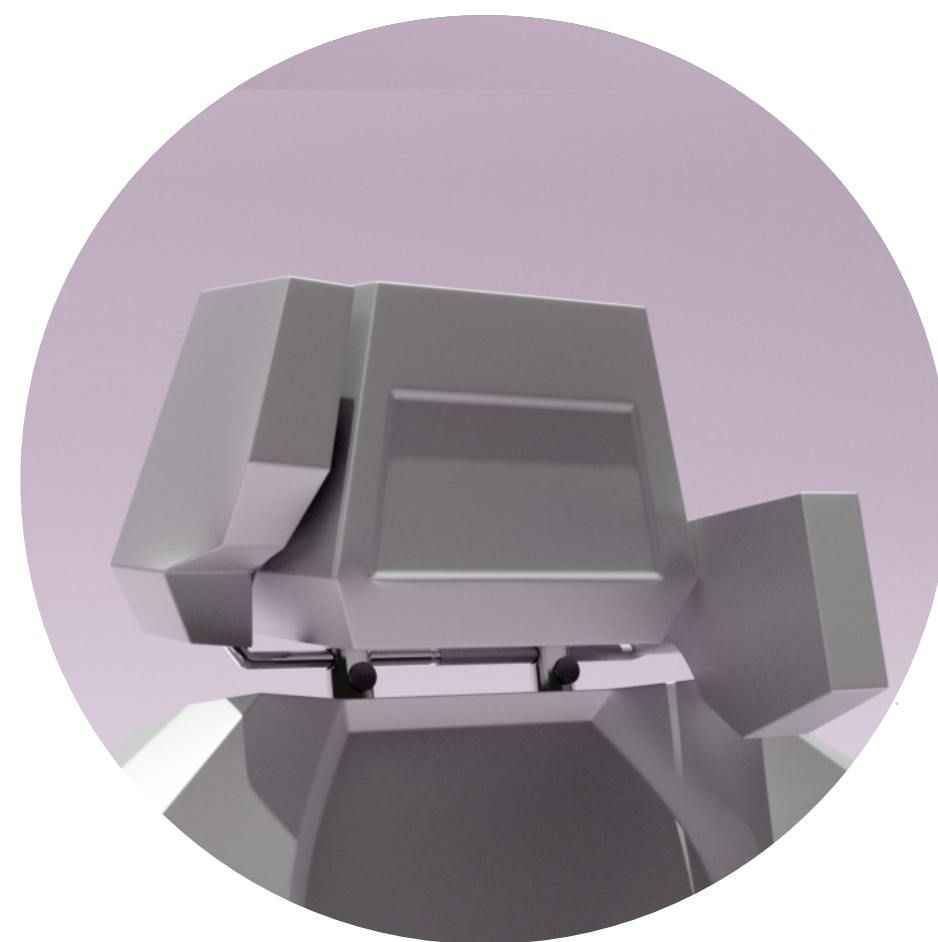




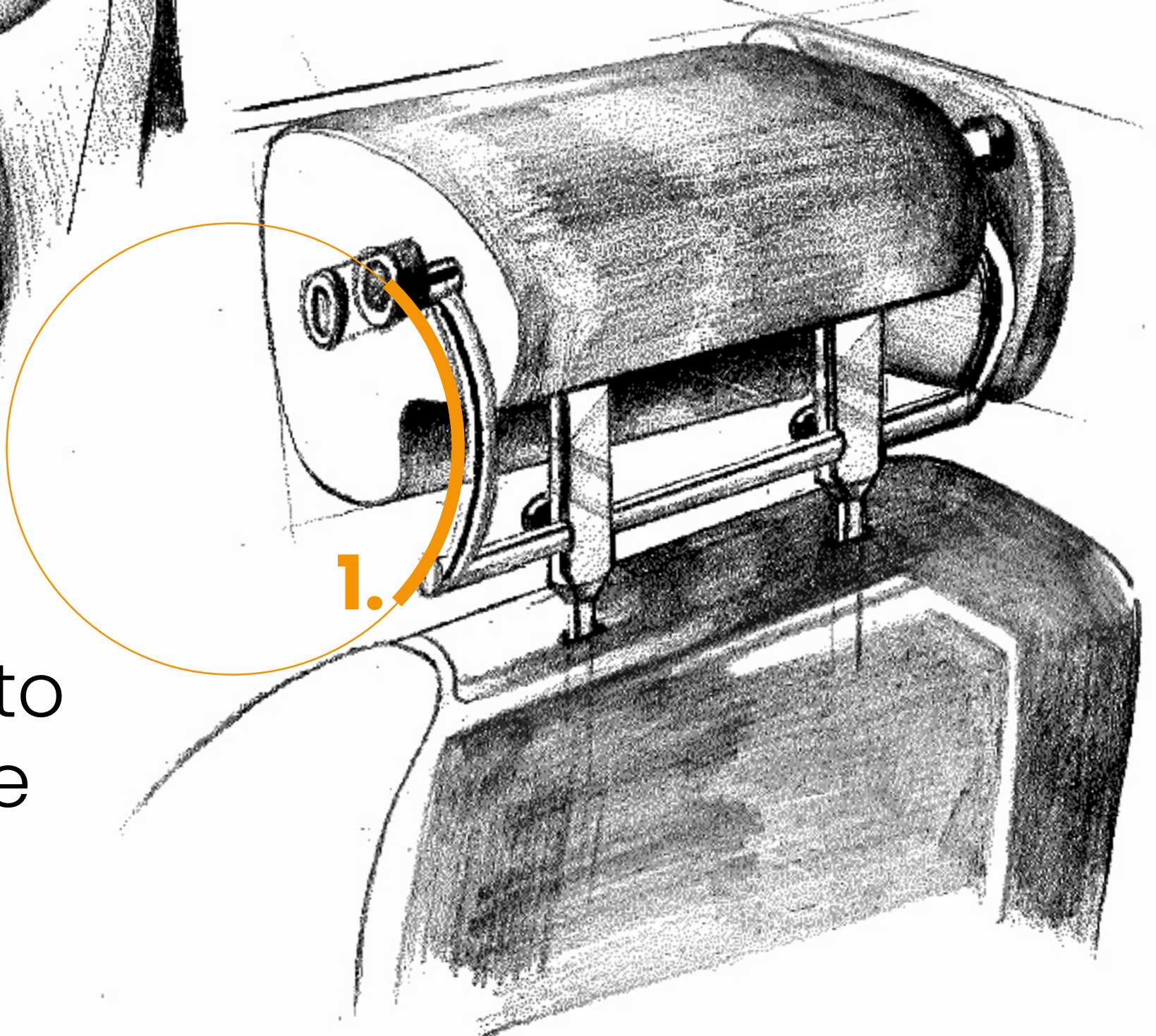
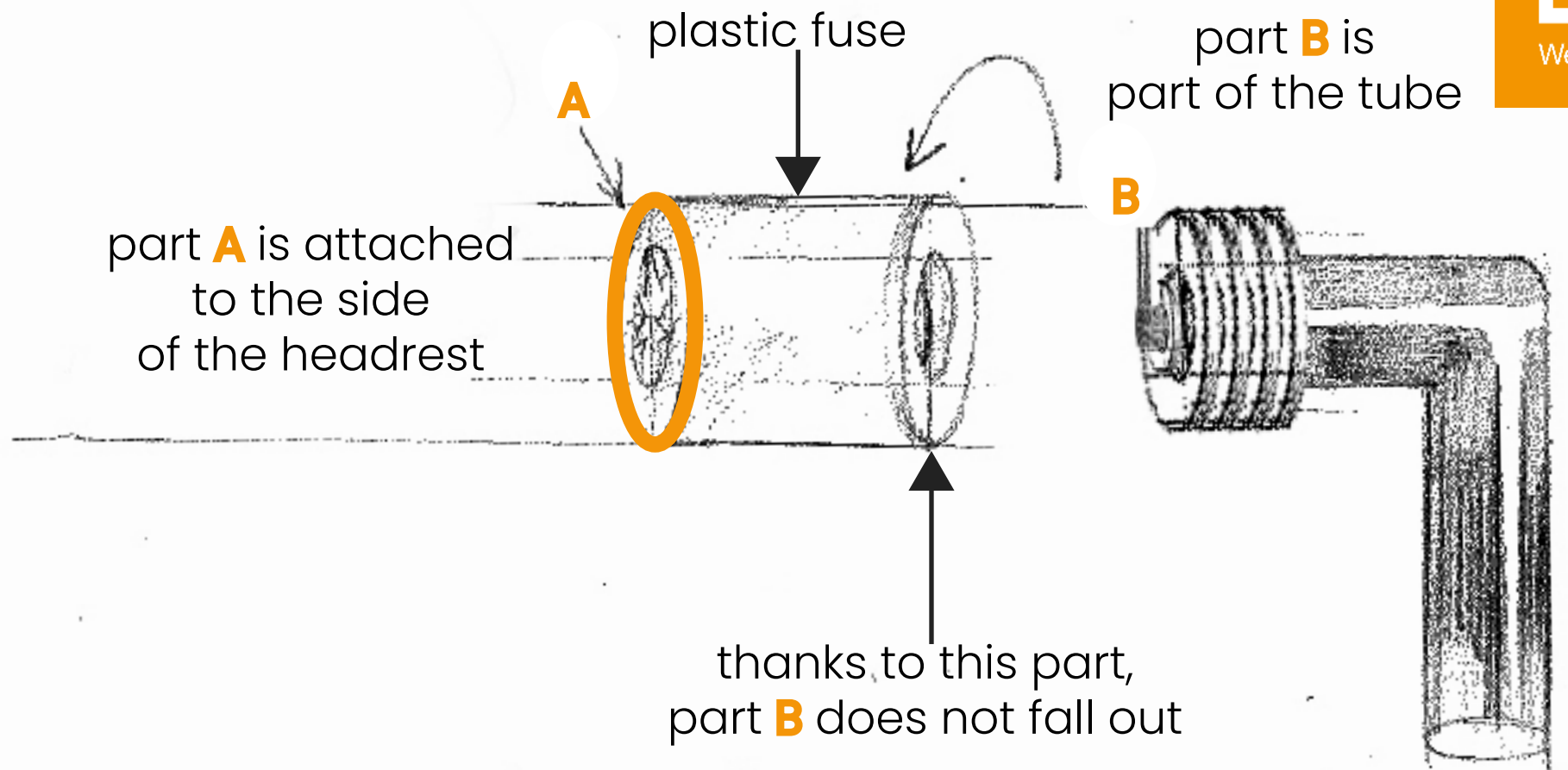
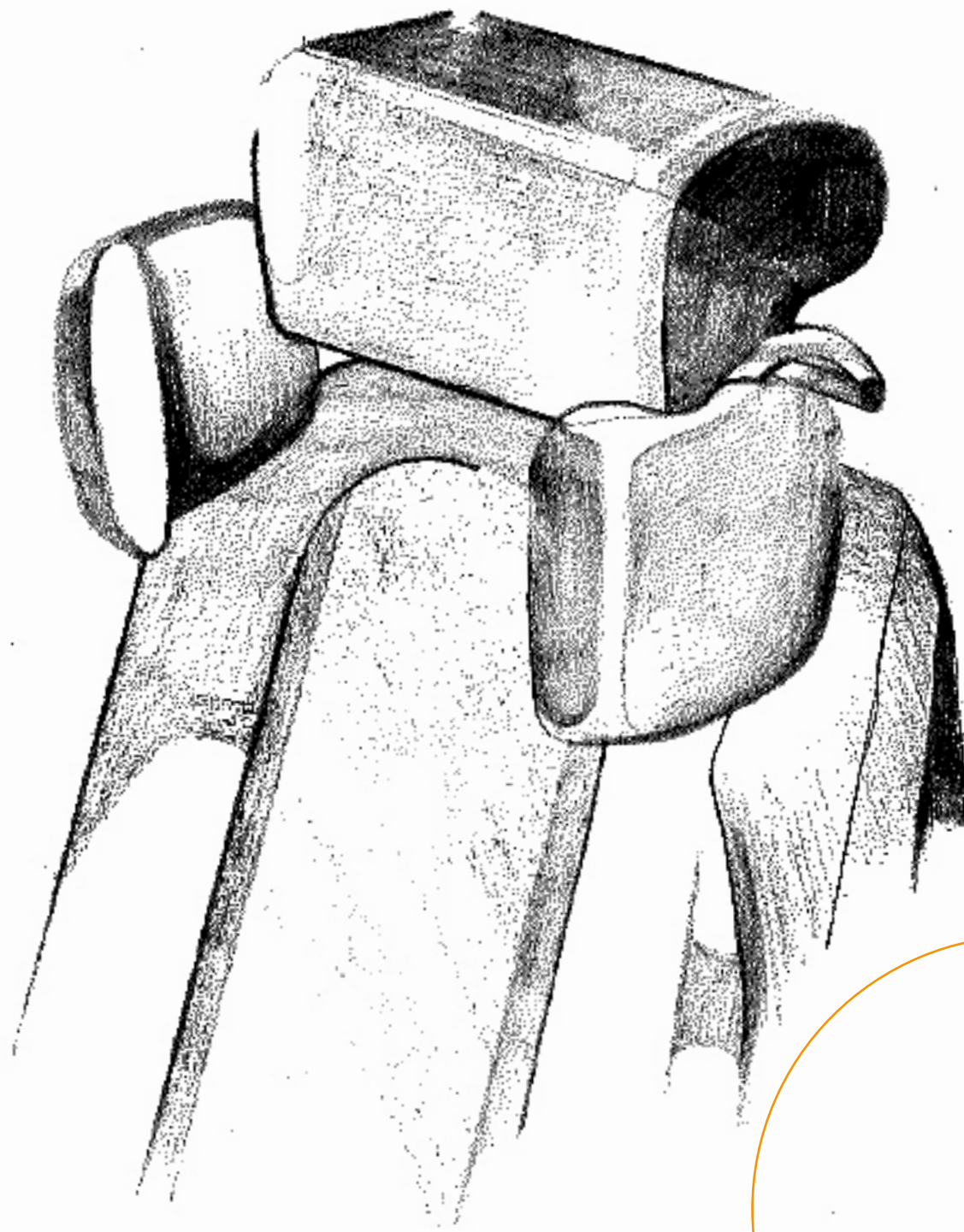
## Headrest – first idea

This headrest is made out of three parts.

The final draft is based on the same mechanism like this one.



# Headrest – sketches of the final design



Thanks to the part that is curved, the headrest's side supports are able to be shifted to angles more comfortable for the user. **(1)**



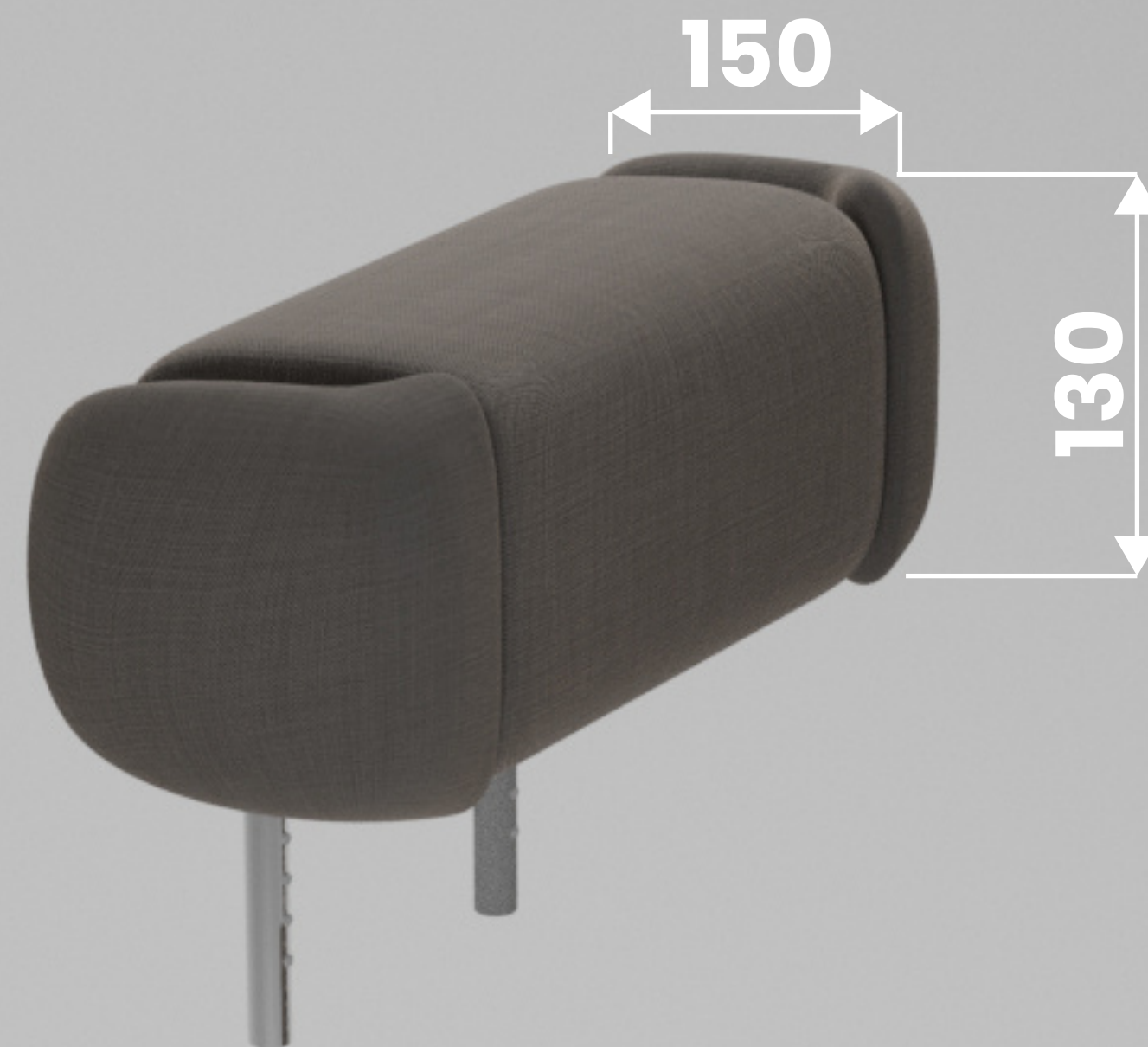
## Headrest – materials and parameters

materials:

the headrest is made out of PU foam + textile

the construction is made out of steel

the components are made out of plastic



## Headrest – the possibility of turning the side parts

Thanks to the rotating parts in the headrest, everyone can adjust the position according to their needs.



## Headrest – hanger

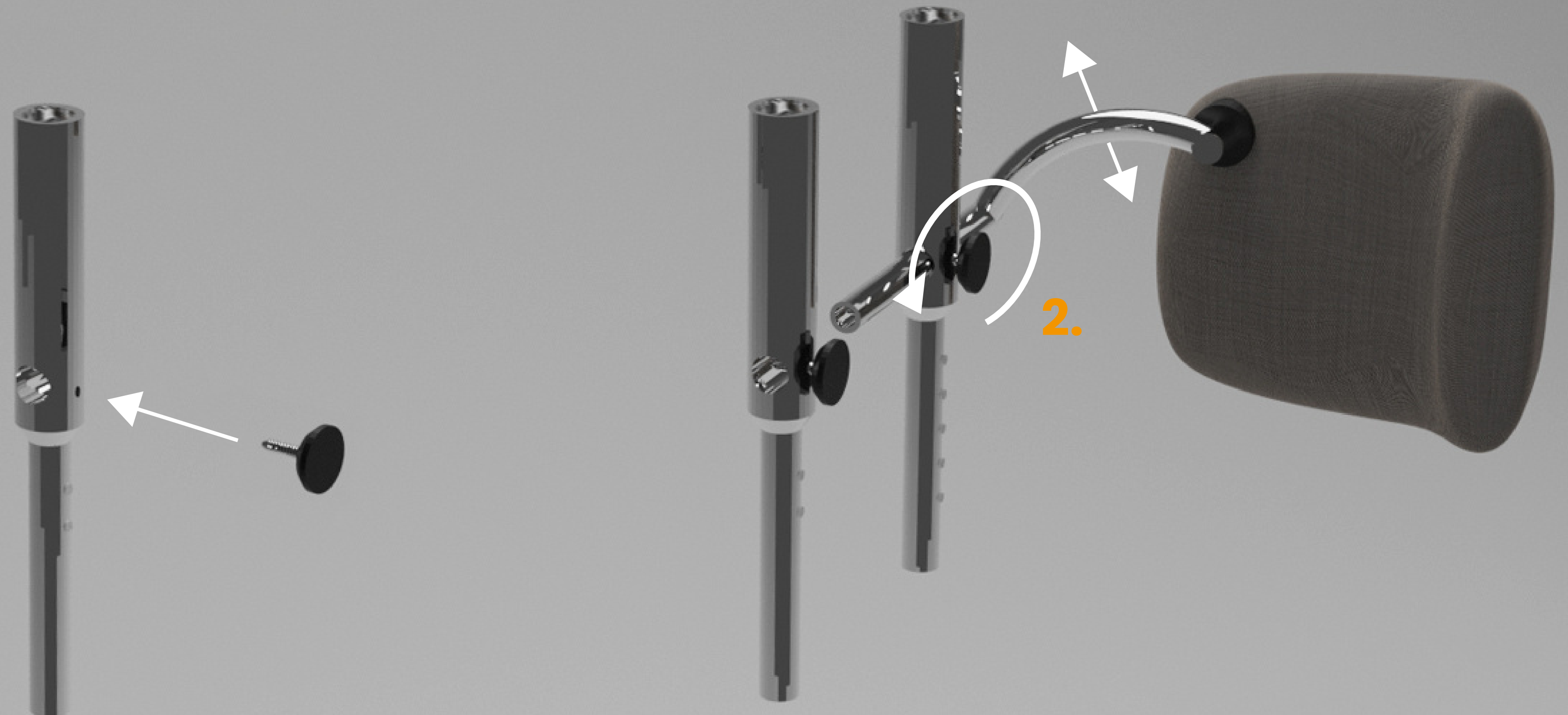


The headrest's side parts can also be used as a hanger.

After hanging the bag, the side part of the headrest can be adjusted to its original position so that it does not interfere.

## Headrest – 1st detail

After setting the correct angle, the lever under the headrest is tightened. **(2)**





## Headrest – 2nd detail

Thanks to the toothed part, the side parts can only be turned in one direction. **(3)**

In the middle there is a flexible latch that prevents it from turning to the other side. It is tightened in such a way that it presses on the teeth.

