

SKODA

 **BASF**  
We create chemistry

KAROLÍNA BORÝSKOVÁ

CAR CUP  
WARMER / COOLER

SEMINAR WORK

PRODUCT DESIGN

# CONCEPT

The container serves to enable the user to heat or cool the beverage according to their preferences.

The user has the option to utilize the thermal insulation flask provided with the product.

The flask is designed to fit into the beverage compartment.



# CONCEPT

The user has the option to utilize the thermal insulation flask provided with the product.

The flask is designed to fit into the beverage compartment.



# MATERIAL

Ultramid + Ultramid S3EG6 BAL AQUA UN

1. High strength and rigidity
2. Very good impact strength
3. Outstanding resistance to chemicals
4. Low tendency to creep
5. Dimensional stability
6. Simple processing

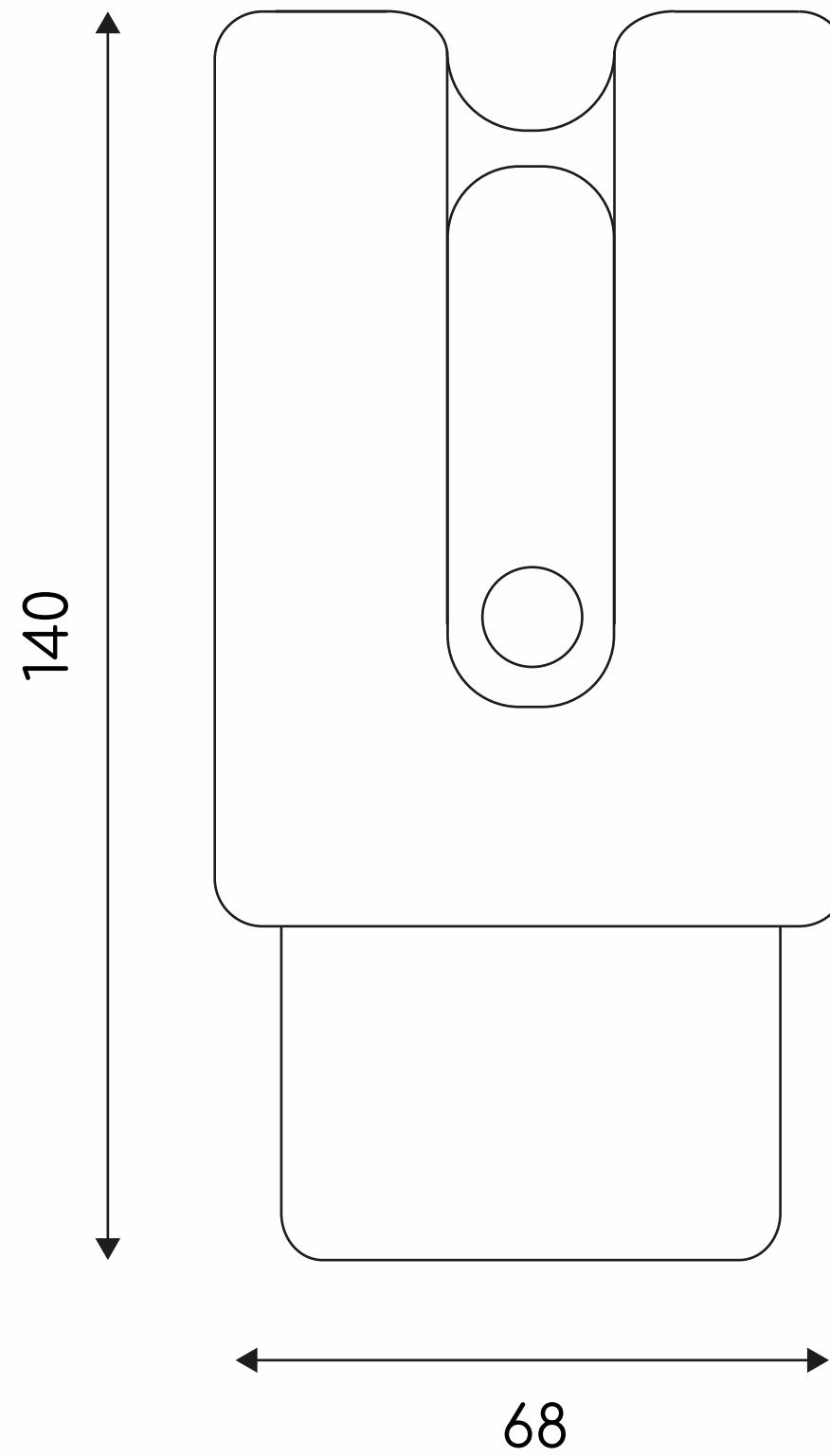


# PREVENTION OF SPILLING

If the user has a drink in a cup, they can enjoy it without the concern of potential spills. The lid on the cup provides a secure and convenient environment for drinking, eliminating the risk of any unintended liquid leakage.



# DIMENSION



# CHARGING METHOD

For charging purposes, the USB-C port has been chosen, as it currently represents the most widely adopted charging standard.



heating



cooling



done





# DESIGN





