

■ - BASF



SKODA

CHILDREN'S MIRROR
PETRA OCHODNIČANOVÁ

ASSIGNMENT

□ 3. “accessories”

Think about things, that would make a use of cars more comfortable, more user friendly, more intimate. Think about, what is annoying for you in today´s cars and bring a new solution. Sustainability as well as „one product – one material“ approach might be applied.

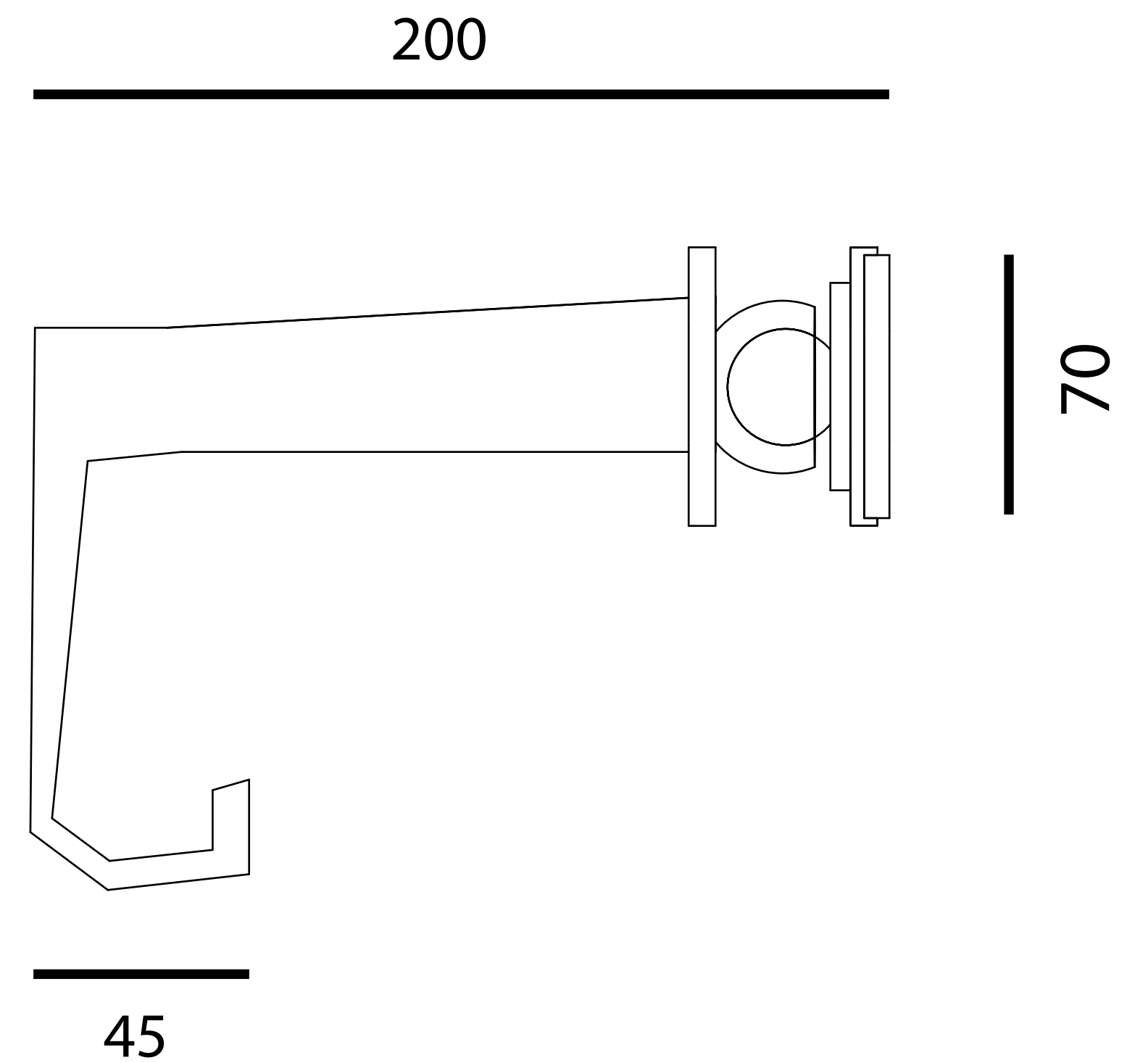
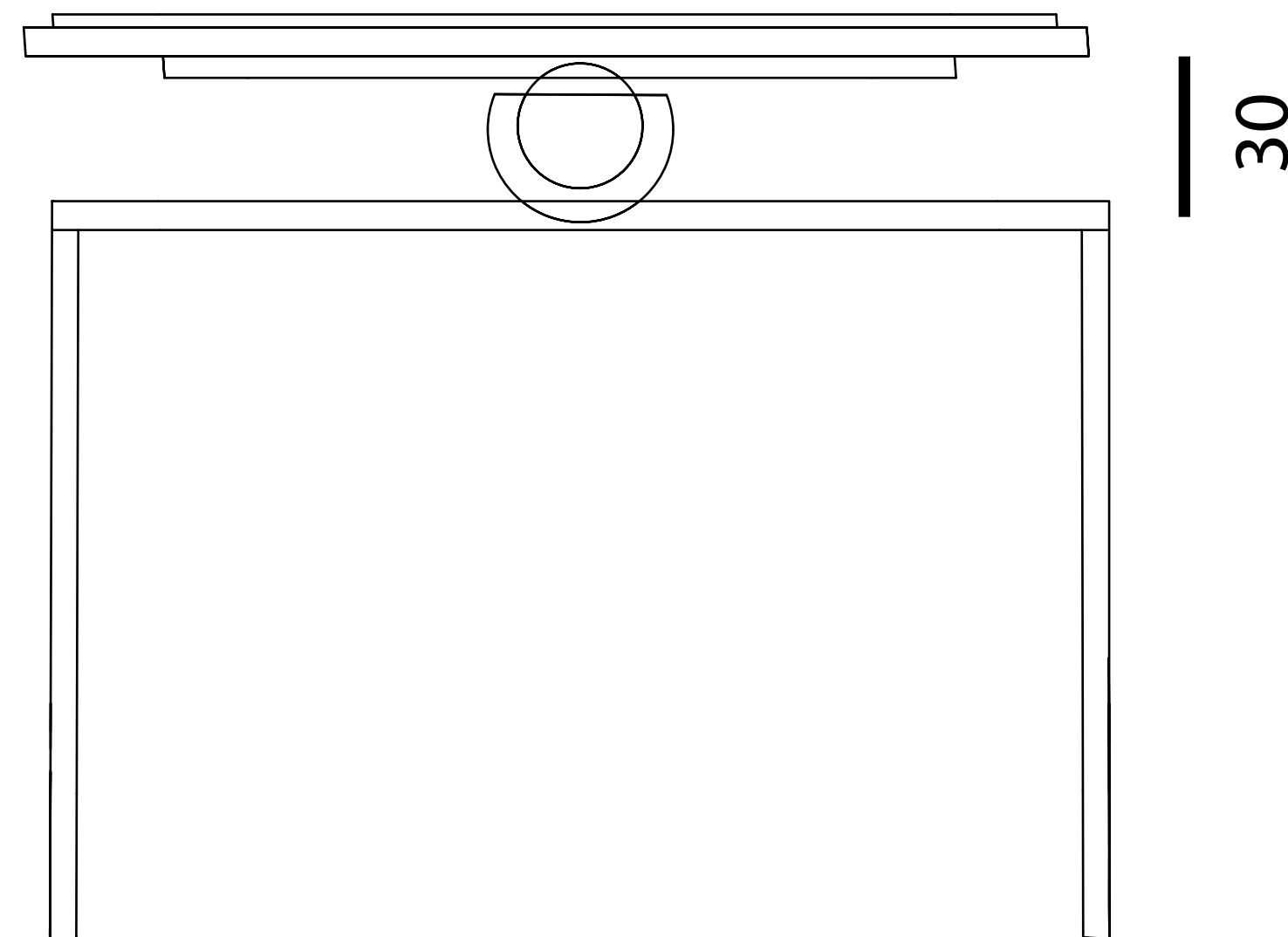
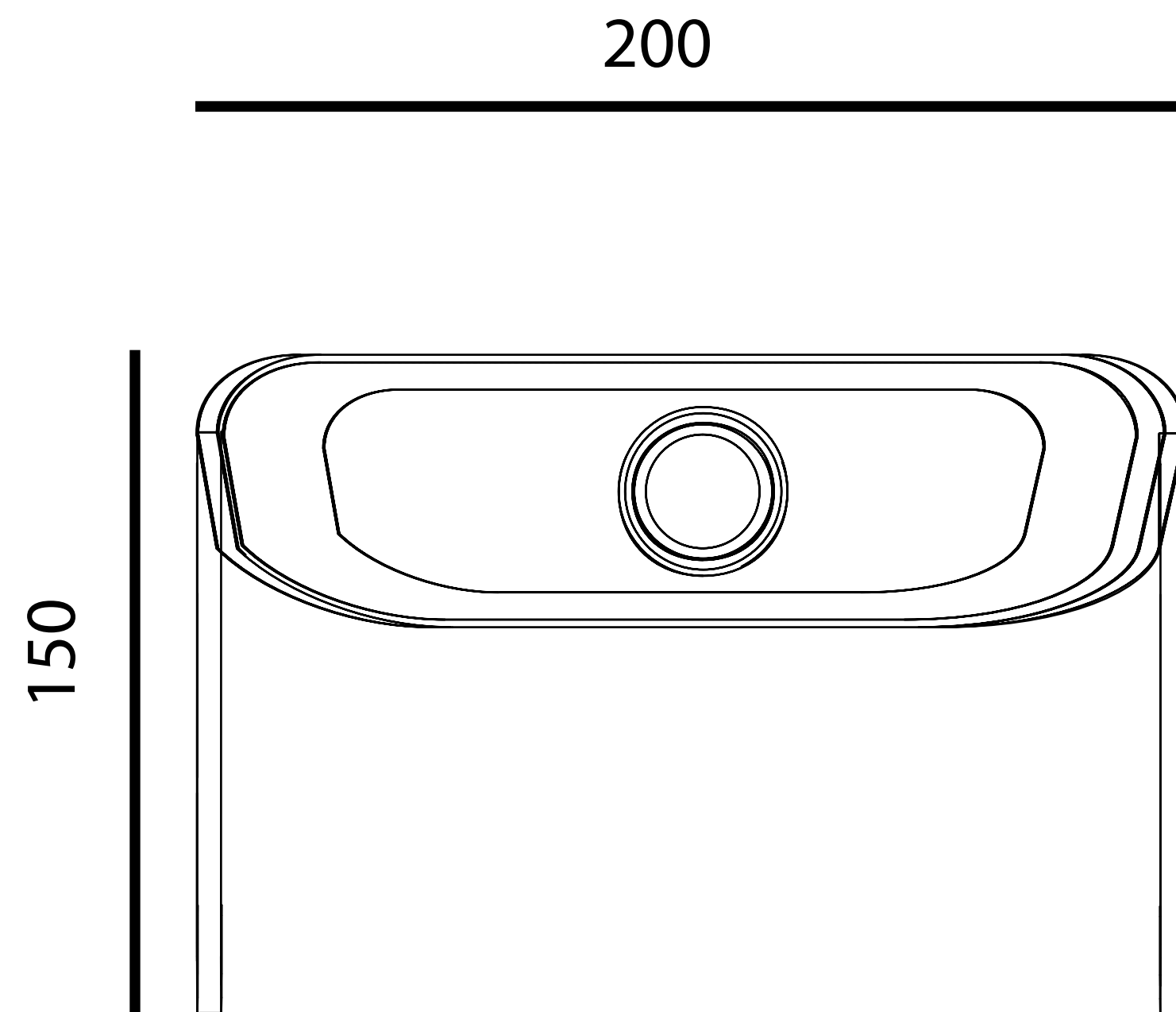


ANNOTATION

- ❑ A children's mirror can be attached to the main rearview mirror in a way that allows it to be removed later. The mirror is used primarily while driving so that parents can see their children in the back seat without to turning around.



DIMENSIONS



MATERIAL

- ❑ The material for manufacturing individual components could be Ultramid.
- ❑ The most important properties of Ultramid® high strength and rigidity very good impact strength.



VISUALISATIONS

